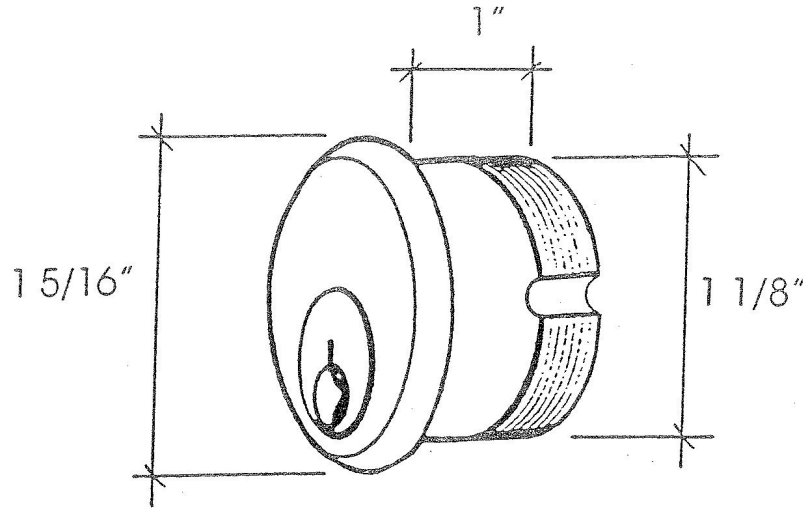


ALL DIMENSIONS MUST BE VERIFIED BEFORE FABRICATION.

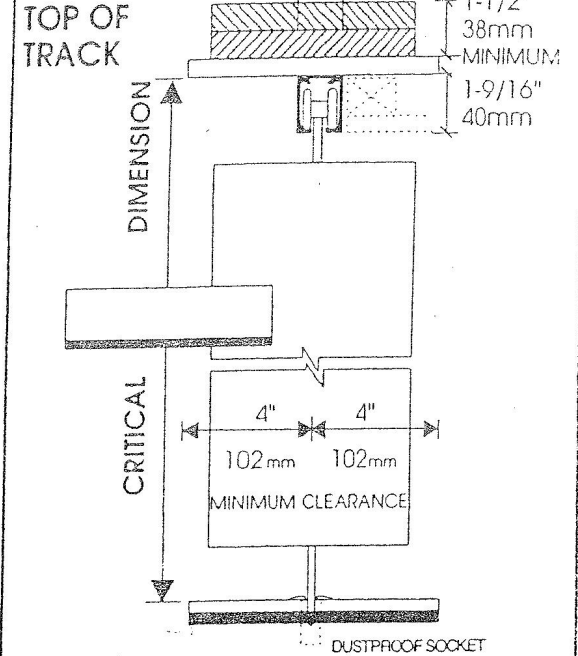
NOT TO SCALE

WOOD SUPPORT BUILT BY GENERAL CONTRACTOR. MINIMUM WEIGHT CAPACITY OF 3 LBS./SQ. FT. OF GRILLE (15KG./SQ.M.)

INTERIOR SIDE



- Cylinder model Yale Y1 6 pins
- Cam 1/4", CT-ZO2 Cam (style Adams Rite)
- Filet 7/64

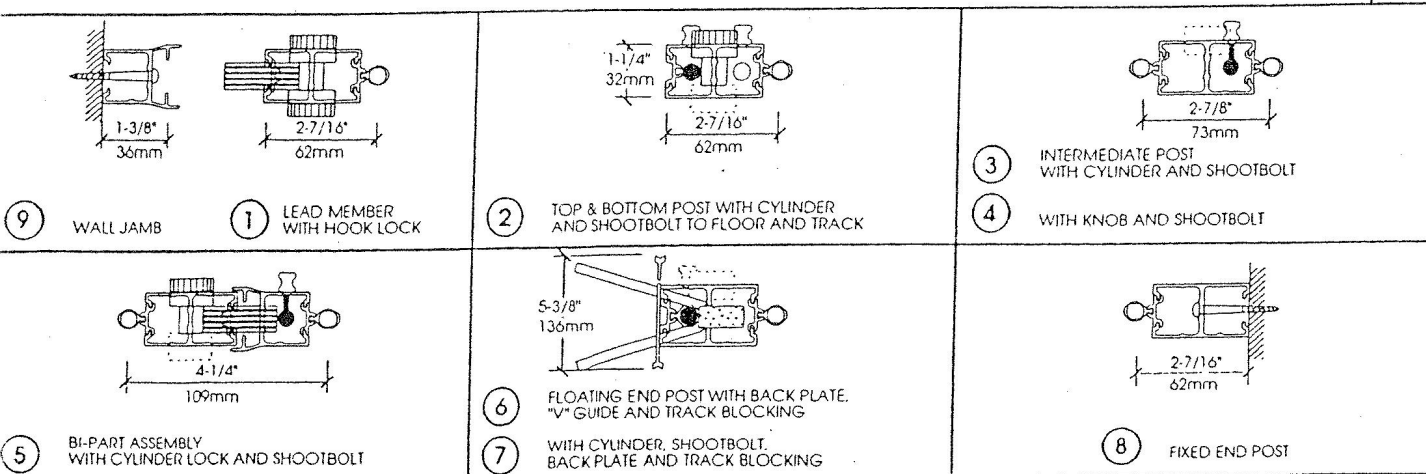


FINISHED FLOOR VERTICAL SECTION
COUNTER

CUSTOMER: _____
PROJECT: _____
LOCATION: _____
CITY: _____
MODEL: _____
FINISH: _____
DATE: _____ NO: _____

EXTERIOR SIDE

PLAN VIEW



VRINDA INC.
www.GlassEssential.com
Phone: 1-877-874-6321
Fax: 1-877-874-6564