

CUSTOMER: _____ DATE: _____

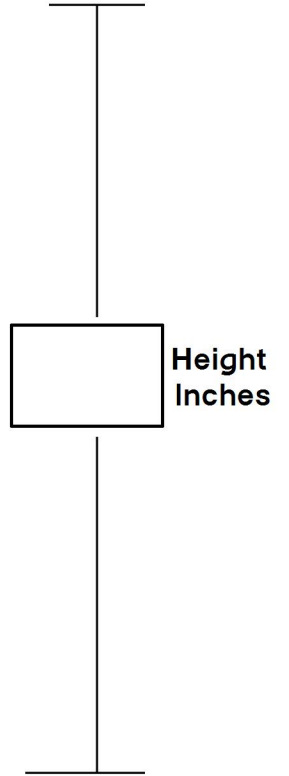
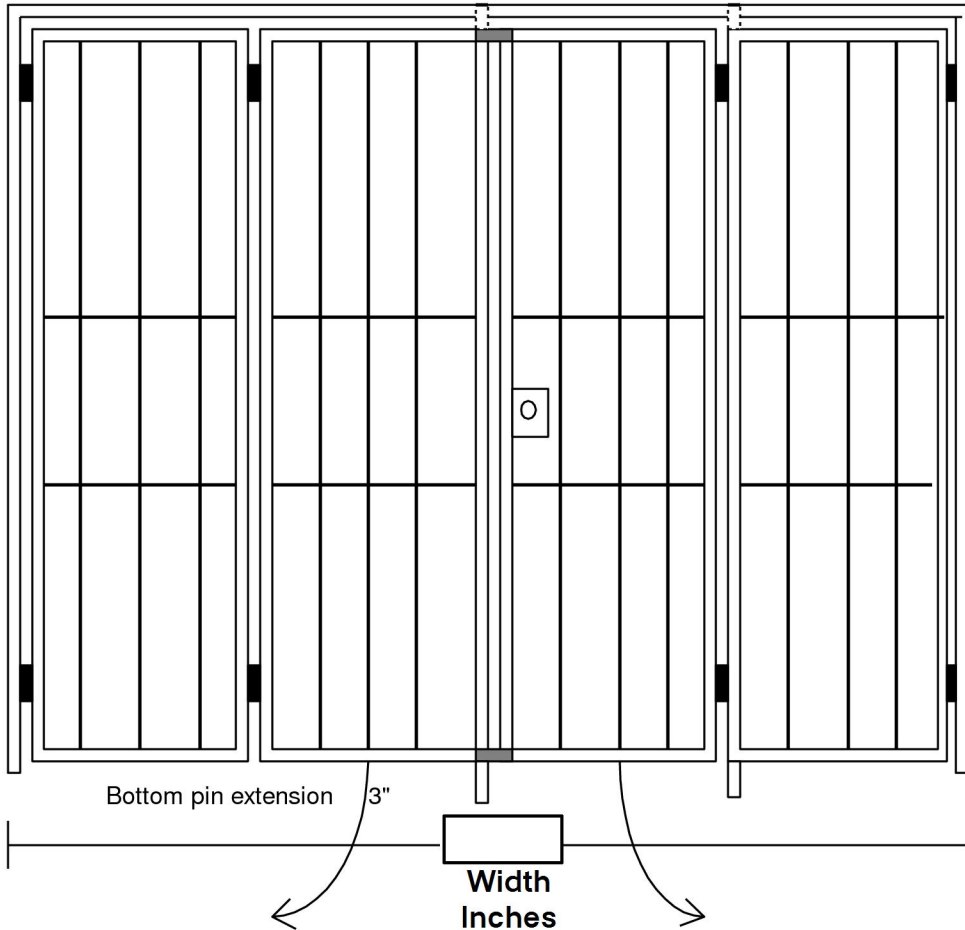
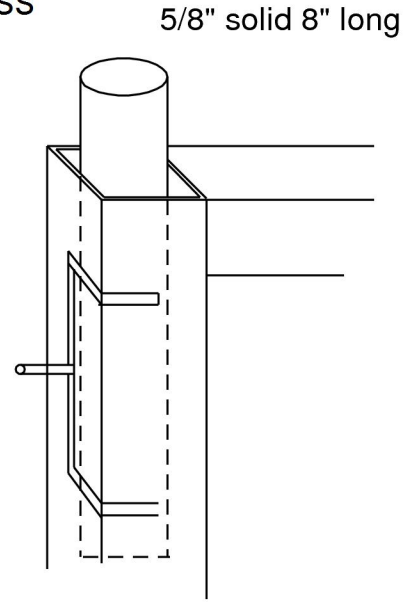
Installation Type: Select : Face of Wall (Surface) Mount / Recess (Inset) Mount

**Gate 4 section
bi-folding locking in
middle**

Frame 1 1/2" x 1 1/2" tubing
Grid 1/2" x 1/2" steel bar

Paint: Select: White/ Black (Recommended for Outdoor Use)

**typ, internal slide bolt
detail**
(interior view)



Approval Signature

Name: _____

Phone:

EMAIL :

FAX:



VRINDA INC.

www.SecurityWindowBars.com

Phone: 1-877-874-6321

Fax: 1-877-874-6564