

DOOR PROTECTIVE SYSTEMS

Grizzly Bar Steel Reinforcing Kit for Steel Doors (Exit Doors)



Features:

- Can be alarmed for Forced Entry
- Strong but light weight
- Easy to Install
- For Single or Double Door
- For Swing In or Swing out Door
- No Padlocks or Chain Required

GRIZZLY BAR MODEL NUMBERS

1. UGBDK-SO: SINGLE DOOR OUT OPENING
2. UGBDK-SI : SINGLE DOOR IN OPENING
3. UGBDK-DO : DOUBLE DOOR OUT OPENING
4. UGBDK-DI : DOUBLE DOOR IN OPENING

On models for single doors the 2 x 2 x 1/4 angle barrier bar is 40" long

On models for double doors the 2 x 2 x 1/4 angle barrier bar is 80" long

All above kits include standard mounting hardware.



GRIZZLY BARS

BACK DOOR REINFORCING KITS - INSTALLATION INSTRUCTIONS

Revised February 28, 2001

OUTSWING DOORS: (SINGLE & DOUBLE - OUT OPENING)

COMPONENTS LIST:

- 1 - Outside channel with square holes (2 for double door)
- 2 - Inside channels with round holes (4 for double door)
- 1 - 18" angle with holes (2 for double door)
- 2 - 8" flat bars (4 for double doors)
- 1 - 40" - 2x2" angle (80" for double door)
- 2 - 2 1/2" x 1/4" carriage bolts (4 for double doors)
- 4 - 1 x 1/4" machine bolts (8 for double doors)
- 10- washers used as spacers (20 for double doors)
- 1 - Drawing (Fig. 6-A-1)

NOTE: All Channels May Have Square Holes

Take an inside channel and position on center of door at desired height. Mark hole locations and drill 5/16" holes for mounting through door.

Place carriage bolts through outside channel and insert bolts through holes in door. Place one inside channel over bolts, slide 4 washers over each bolt, and place the last inside channel over bolts and bolt snugly to the door. Do not over tighten as this may compress insulated doors.

Using the 18" angle check to see if it will fit into place in-between the channels. If not add another spacer in-between the channels. You may have to only add a spacer to 1 side.

Next take 18" angle and bolt 2 - 8" flat bars to angle using 2 - 1" x 1/4" machine bolts. Make sure flat bars face in direction as shown on drawing and just snug tight.

Drop angle with flat bars into slot at inside channel previously mounted on door. Place long angle across door (center on opening). Swing flat bars outward till they just sit over long angle without protruding. Mark appropriate holes from flat bar on angle and drill 5/16" holes. Bolt long angle to flat bars with remaining machine bolts to complete installation. Tighten all bolts at this time. Simply lift to remove and drop back in for security.

On double doors install channels on each door and use 80" angle across both units connecting all 4 flat bars to angle.

Material

Angles 2" x 2" x 1/4"

U channels 1"x1/2" x 1/8" x 17 1/2"

Flat Bar 1/4" x 1 1/2" x 8"

All Clear anodized aluminum

Model Numbers

Single Out - UGBDK-SO

Double Out - UGBDK-DO

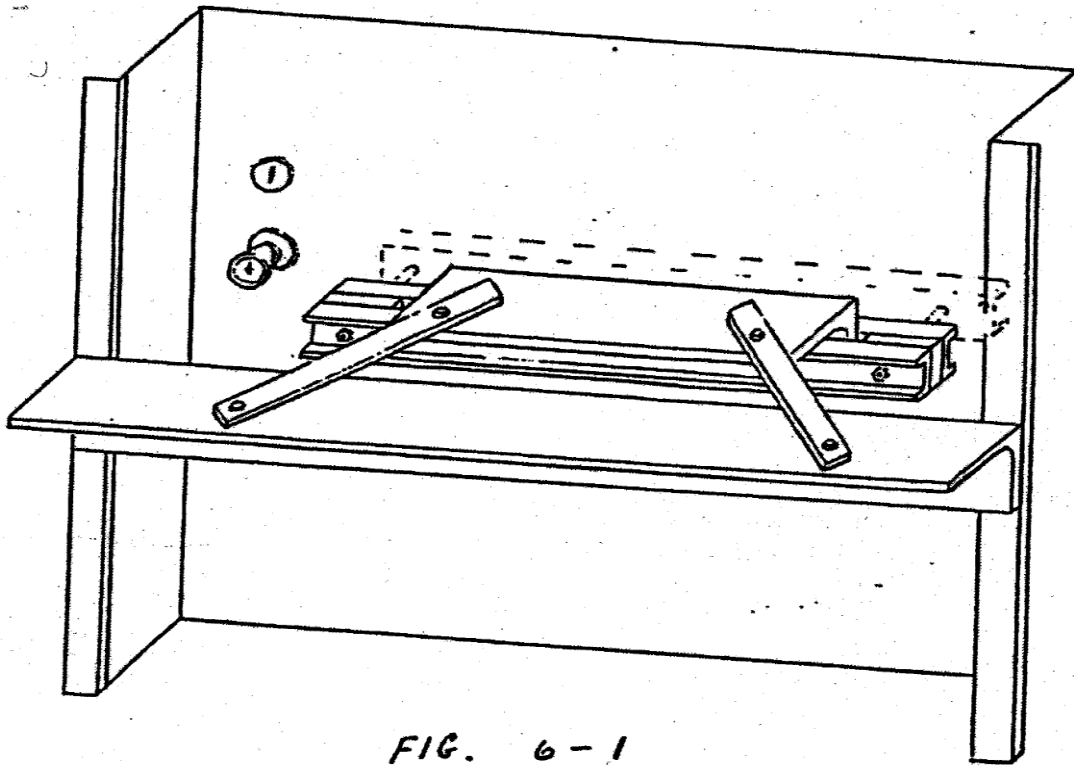
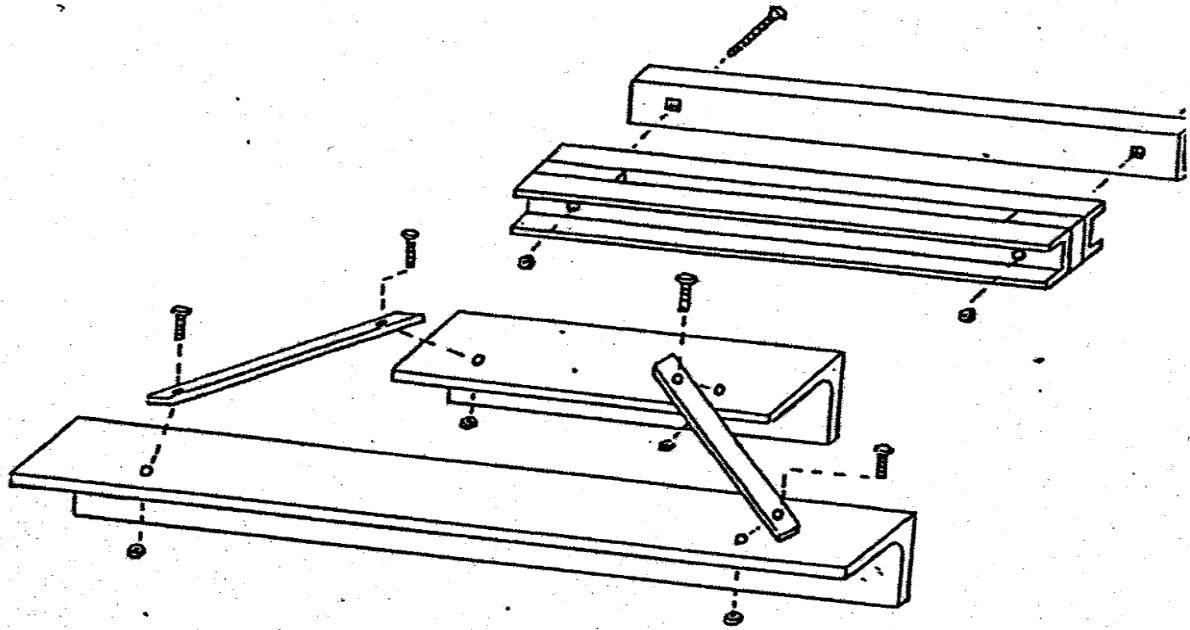


FIG. 6-1