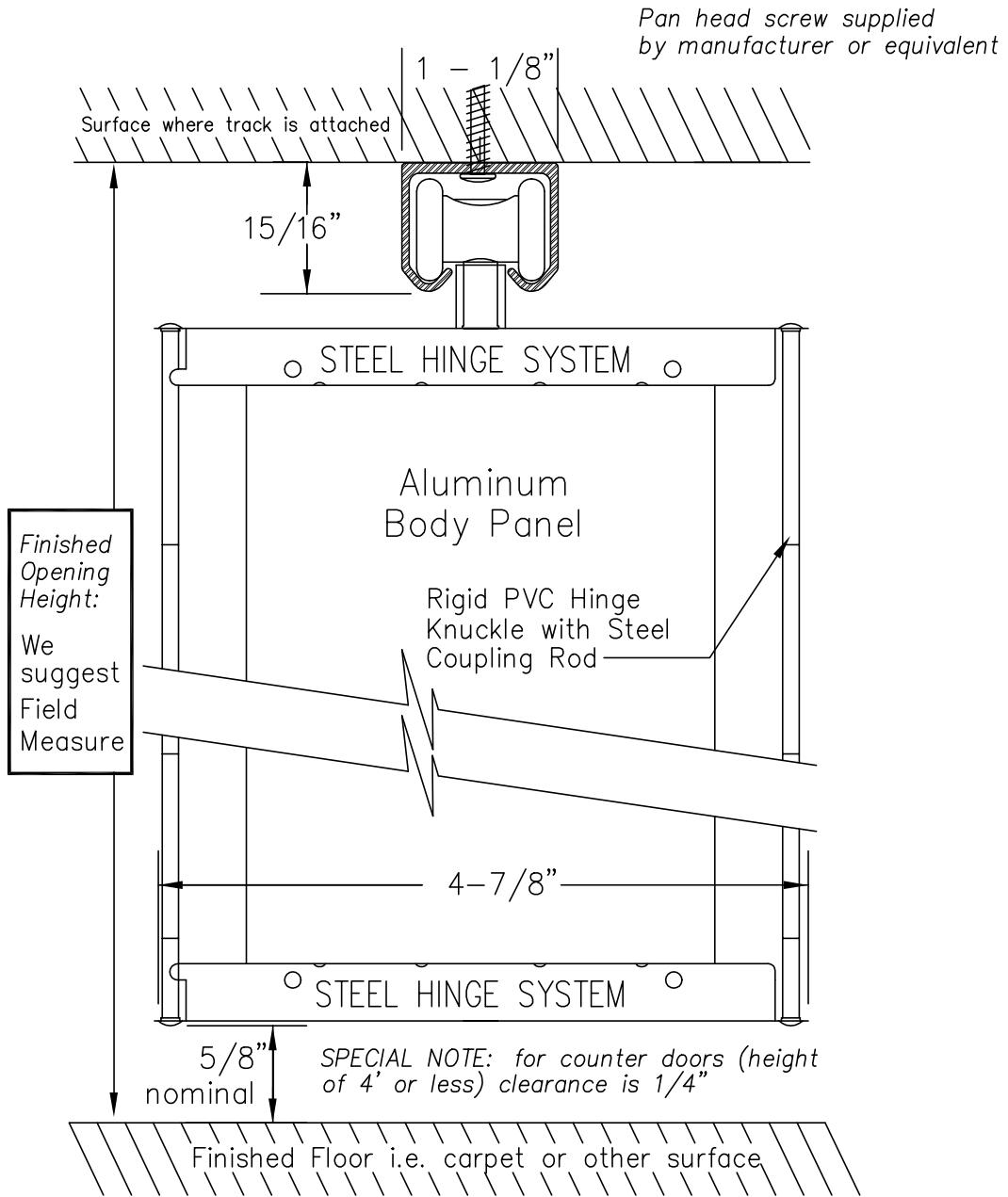


# Surface Track



CAD SRTK-740

○ SURFACE TRACK — MODEL 740