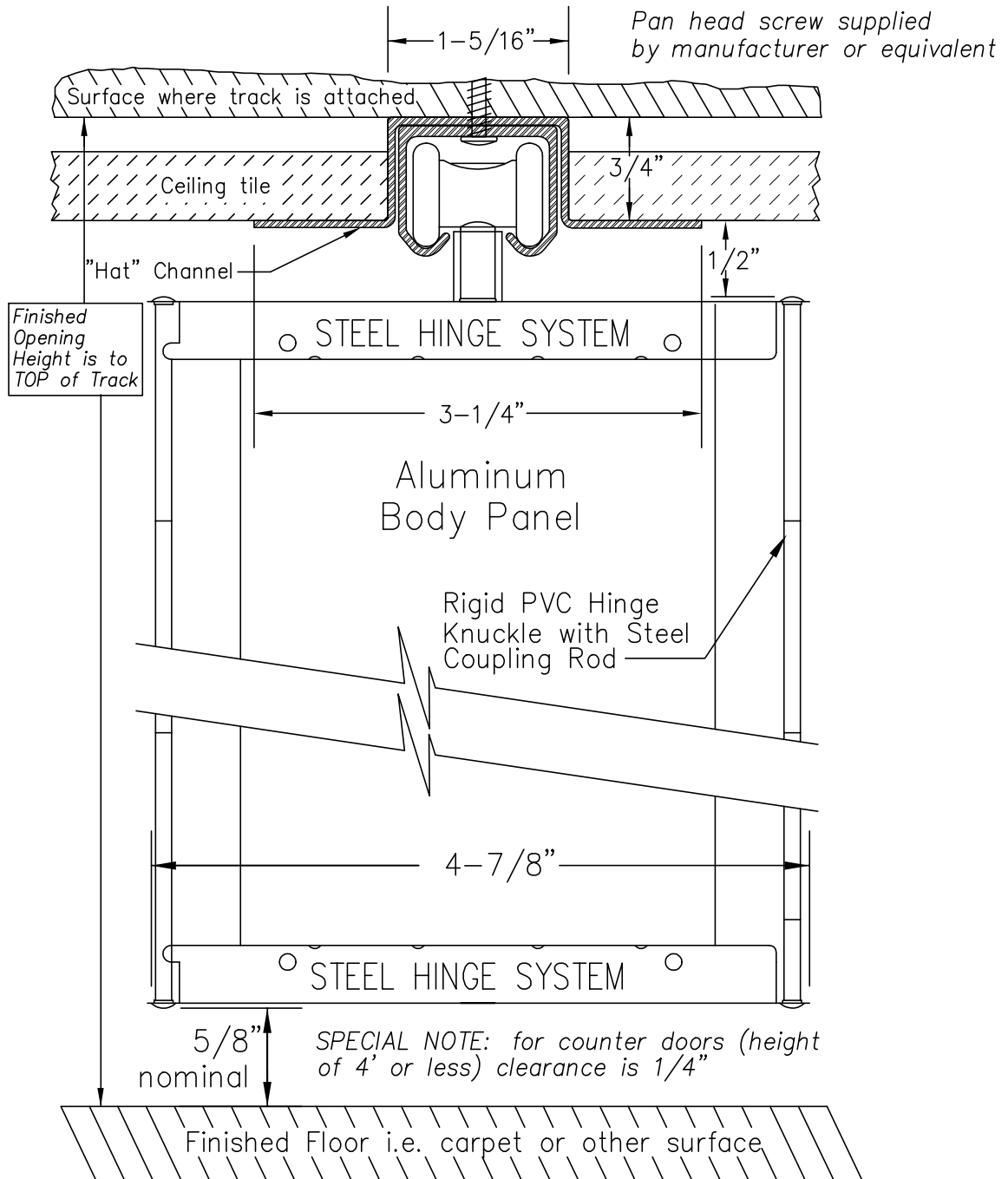


# Recessed Track



For Floor Clearance other than above please specify

CAD RETK-740

○ RECESSED TRACK — MODEL 740