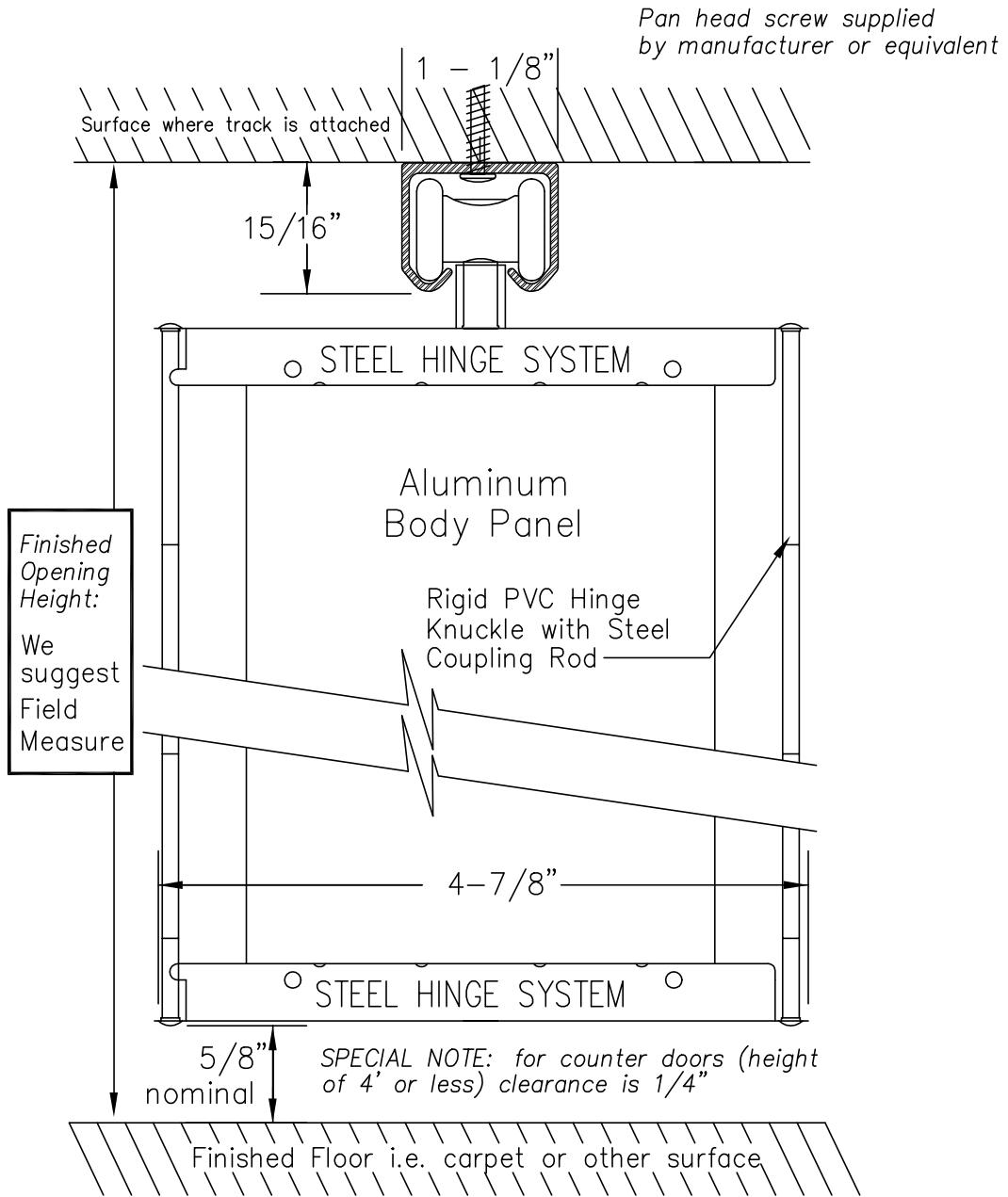


Surface Track



CAD SRTK-640

○ SURFACE TRACK — MODEL 640