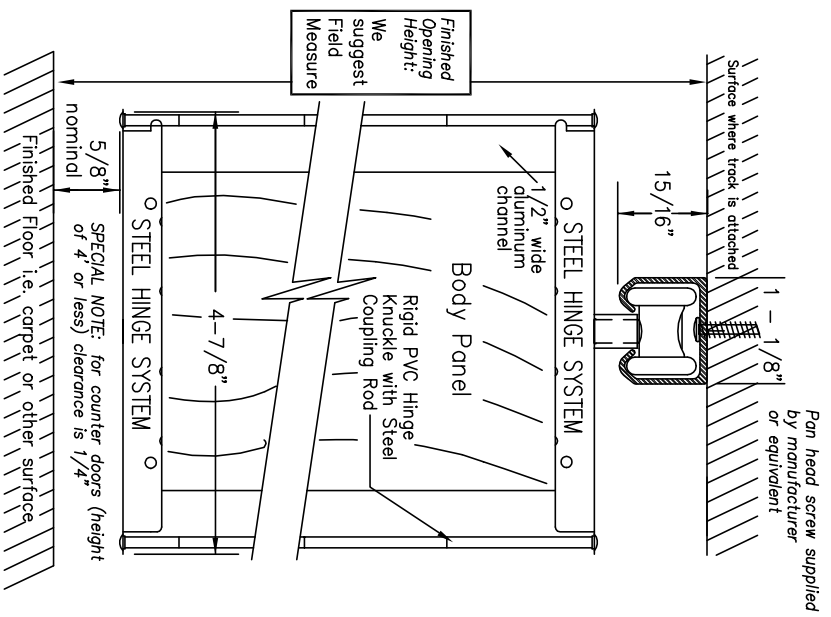
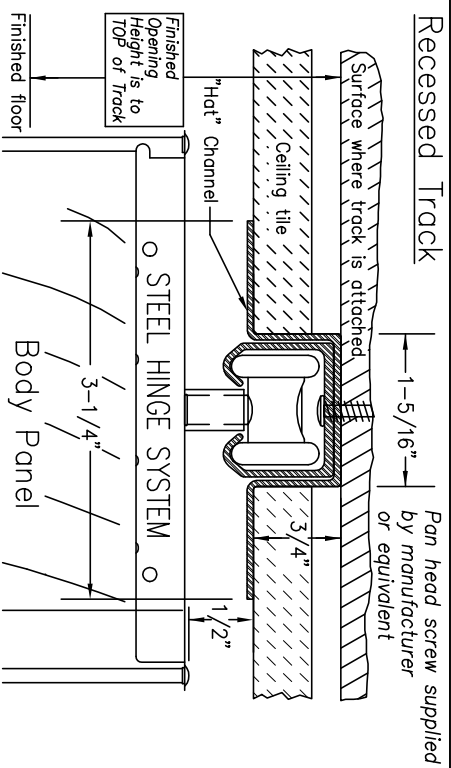


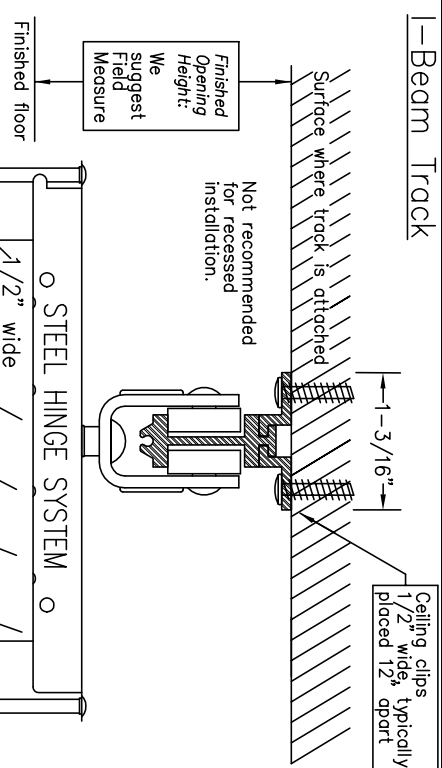
Surface Track



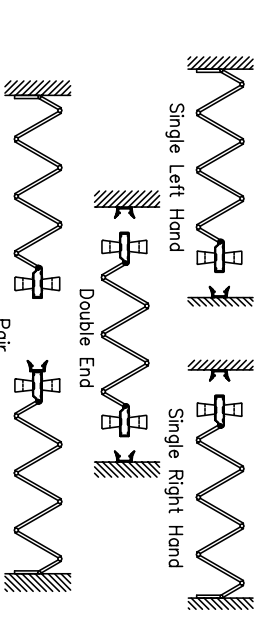
Recessed Track



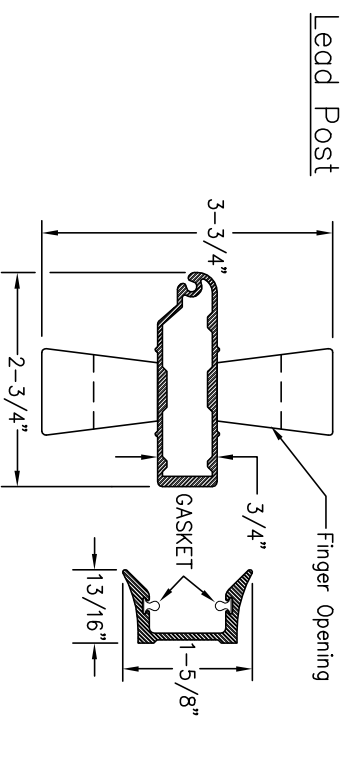
I-Beam Track



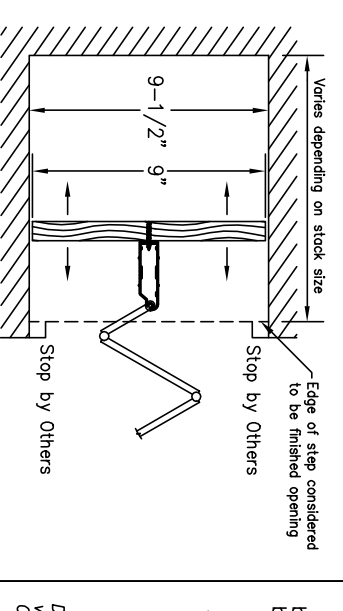
Door Types



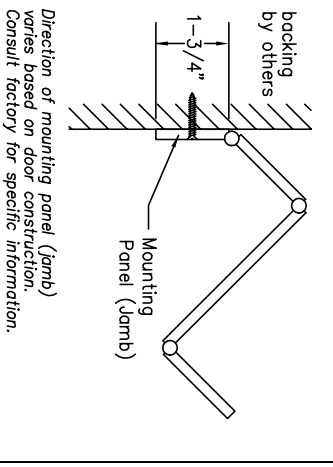
Lead Post



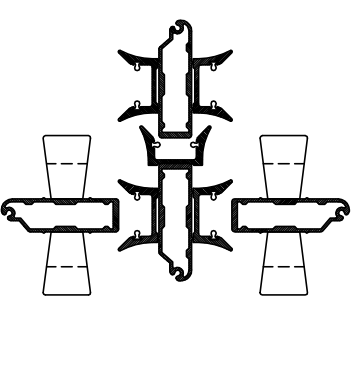
Sliding Jamb Option



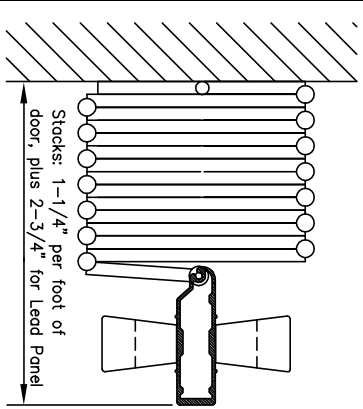
Mounting Panel



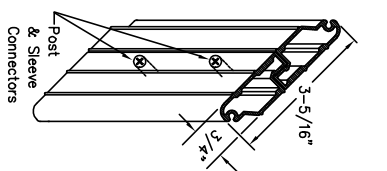
Multiple Meeting Option



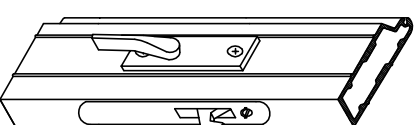
Stack Dimensions



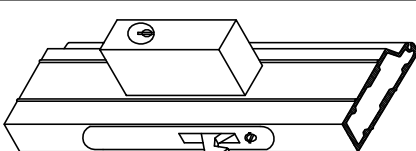
Intermediate Rolling Post



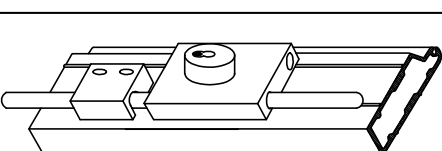
Privacy Latch



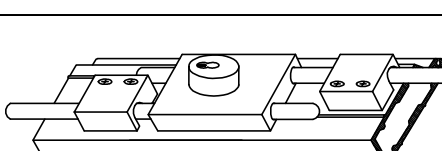
Keylock



Single Cremone Bolt Keylock



Double Cremone Bolt Keylock



INFORMATION

Width: Custom made to any width

Height: Custom made to 10' - 1"

Panels: Acrylic, natural hardwood or vinyl-lam

Side Channel: Aluminum: White, Brown, Sand or Clear

Panel Connector: Rigid Vinyl: White, Brown, Sand or Clear

Hinge System: Coordinated with side channel

Wheels: Steel: Dark Bronze or Clear

Track: Ball bearing nylon wheels on steel axles

Recessed Channel/"Hot" Channel: Aluminum (straight or curvable); Dark Bronze or Clear

Lead, Intermediate and Jamb: Aluminum (straight only): White

Latch: Aluminum: White, Brown, Sand or Clear

Header: Coordinated with side channel

Door Weight: Deadlatch with Key Lock two sides

Construction Details by Others:

Average Weight: 6-8" 10lbs. Per lined foot

8-1" 12lbs. Per lined foot

10'-1" 15lbs. Per lined foot

12'-1" 18lbs. Per lined foot

See Woodfold Accordion Door brochure for additional details

Catch/Lock Options

Magnet with strike plate

Privacy Latch: Deadlatch with thumb turn one side

Springlatch: Springlatch with thumb turn two sides

Keylock 1 Side: Deadlatch with thumb turn one side, keylock one side

Key and Single Bolt: Key and single bolt lock

Key and Double Bolt: Key and double bolt lock

Single Cremone: Single Cremone Bolt with Key Lock

Double Cremone: Double Cremone Bolt with Lock

Footbolts: Locking or non locking

Other Keyed Options: Keyed alike, custom keyed, construction core

Contact manufacturer for more details

Job Name: _____

Job Location: _____

Supplier: _____

Architects Acceptance

Qty.	Single/Pair	Single End/Double End	Left or Right Stack	Width X Height	Finish/Color	Comments

THESE SPECIFICATIONS ARE SUBJECT TO CHANGE WITHOUT NOTICE

THESE SPECIFICATIONS ARE SUBJECT TO CHANGE WITHOUT NOTICE

Woodfold-Marco Mfg. Inc.
P.O. Box 346 Forest Grove, OR. 97116
http://www.woodfold.com

Phone: 503-357-7181
Fax: 503-357-7185
540 SD 3/00