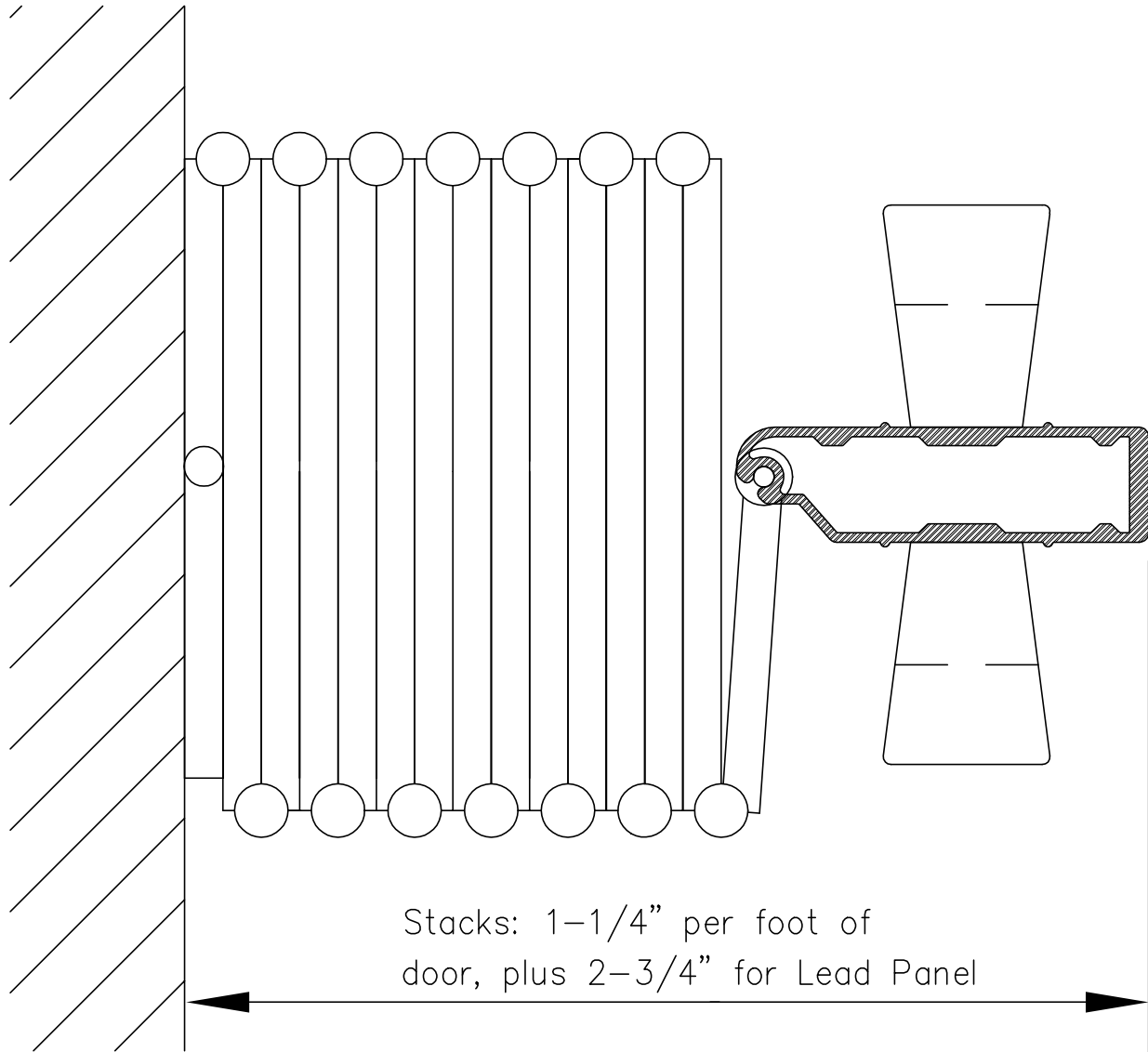


Stack Dimensions



CAD STD-440

○ STACK DIMENSIONS — MODEL 440