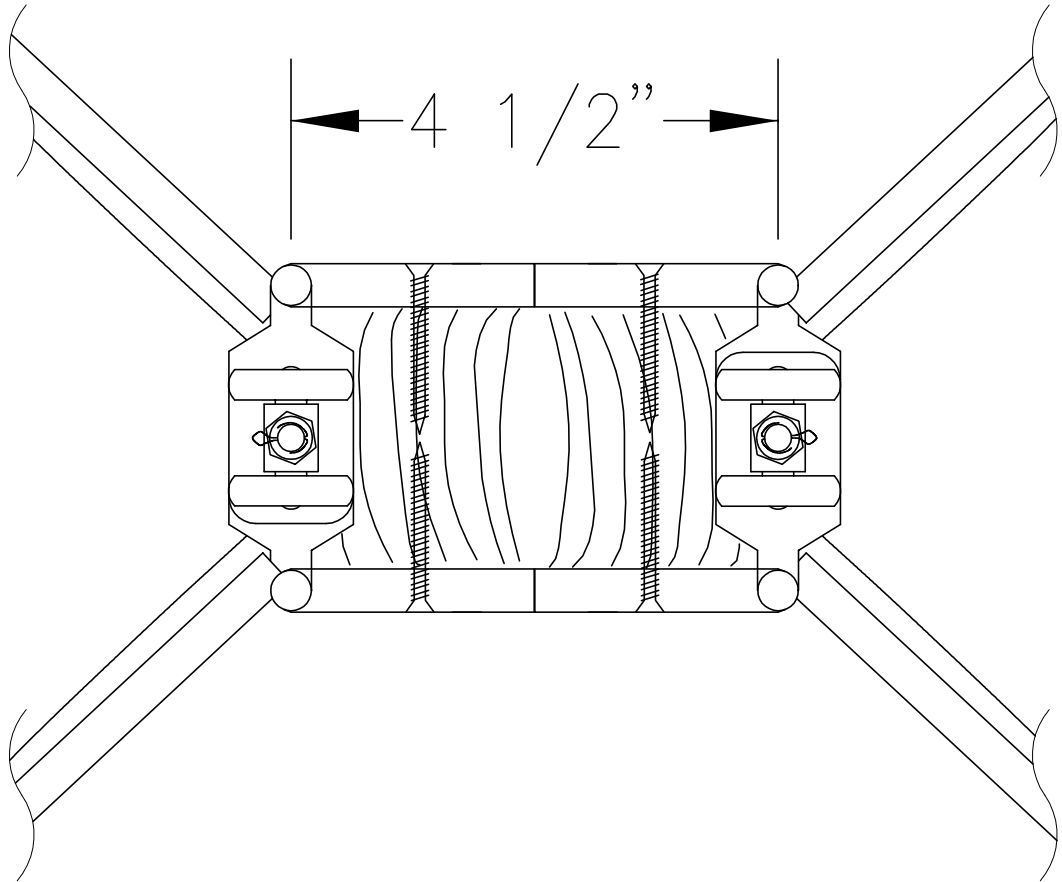
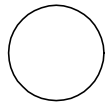


Intermediate Rolling Post



CAD IRP-3300



INTERMEDIATE ROLLING POST – MODEL 3300