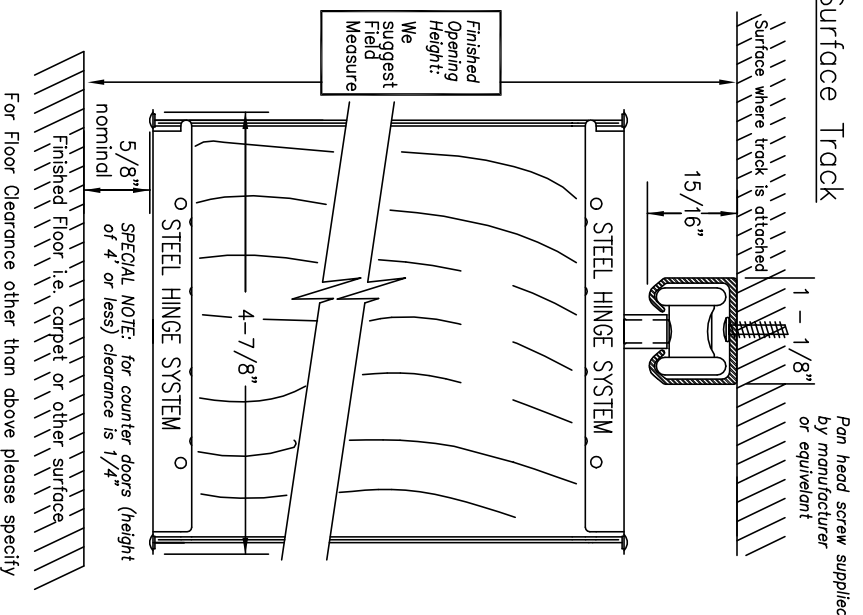
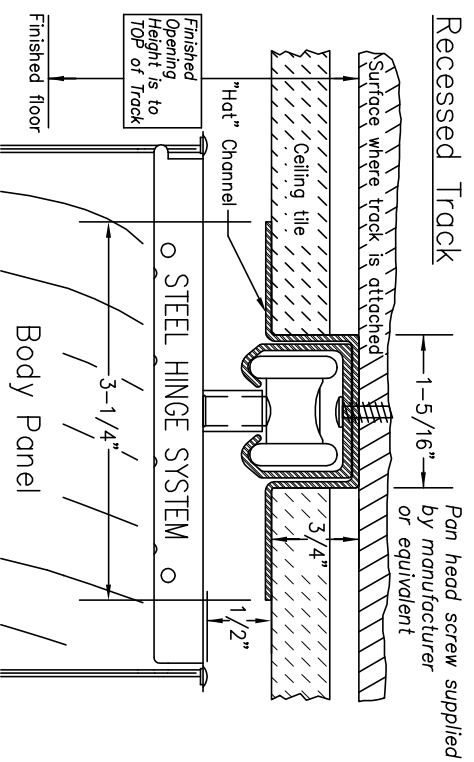


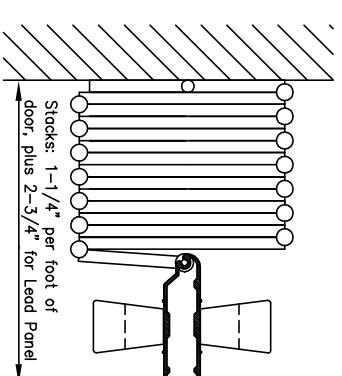
Surface Track



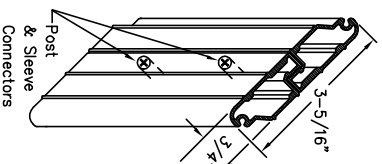
Recessed Track



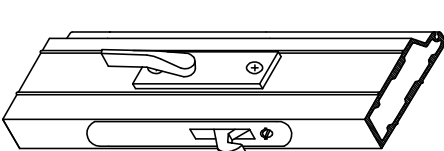
Stack Dimensions



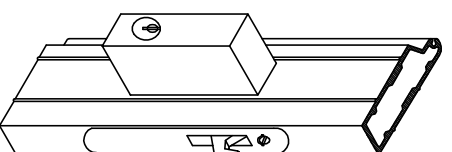
Intermediate Rolling Post



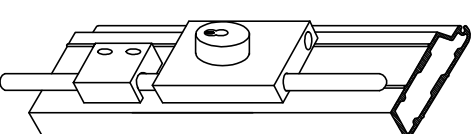
Privacy Latch



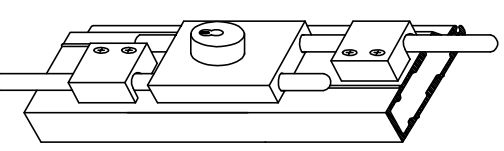
Keylock



Single Cremone Bolt Keylock



Double Cremone Bolt Keylock



INFORMATION

Width: Custom made to any width

Height: Vinyl lam custom made to 12' -1"

Materials: Hardwood veneer custom made to 10' -1"

Core: Natural hardwood or vinyl-lam on MDF core

Extruded Vinyl: White, Brown or Sand

Steel: Dark Bronze or Clear

Ball bearing nylon wheels on steel axles

Aluminum (straight or curvable): Dark bronze or Clear

Aluminum (straight only): White

Recessed Channel/"Hot" Channel: Aluminum: White, Brown or Sand

Lead, Intermediate and Jamb: Coordinated with panel connector

Latch Header: Deadlatch with thumb turn two sides

Constructions Details by Others

Door Weight: Average Weight

6'-8" 10lbs. Per lined foot

8'-1" 12lbs. Per lined foot

10'-1" 15lbs. Per lined foot

12'-1" 18lbs. Per lined foot

Catch/Lock Options

Magnet with strike plate

Magnet

Privacy Latch: Deadlatch with thumb turn one side

Springlatch: Springlatch with thumb turn two sides

Keylock 1 Side: Deadlatch with thumb turn one side, keylock one side

Keylock 2 Side: Deadlatch with keylock two sides

Single Cremone: Single cremone bolt with keylock

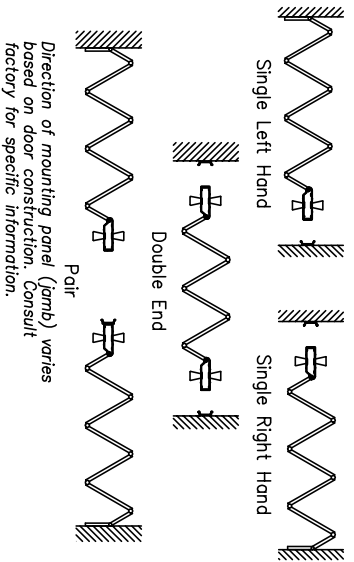
Double Cremone: Double cremone bolt with keylock

Footbolts: Locking or non locking

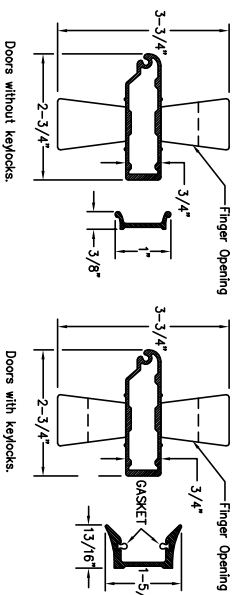
Other Keyed Options: Keyed alike, custom keyed, construction core

Contact manufacture for more details

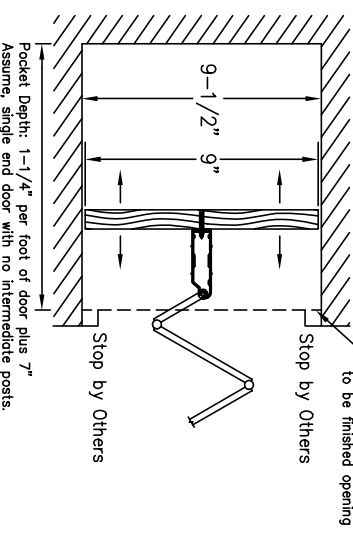
Door Types



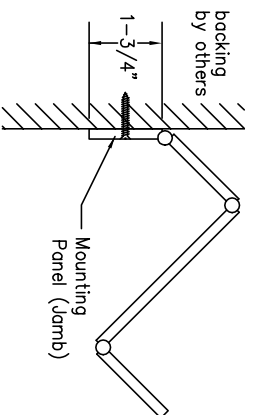
Lead Post, Jamb Mouldings & Handle



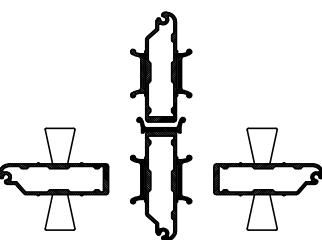
Sliding Jamb Option



Mounting Panel



Multiple Meeting Option



Qty.	Single End/Double End	Left or Right Stack	Width X Height	Finish/Color	Comments

THESE SPECIFICATIONS ARE SUBJECT TO CHANGE WITHOUT NOTICE

Woodfold-Marco Mfg. Inc.  
P.O. Box 346 Forest Grove, OR. 97116  
http://www.woodfold.com

Phone: 503-357-7181  
Fax: 503-357-7185  
240 SD 3/00

THESE SPECIFICATIONS ARE SUBJECT TO CHANGE WITHOUT NOTICE