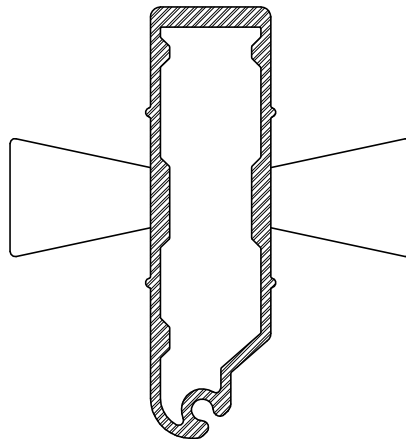
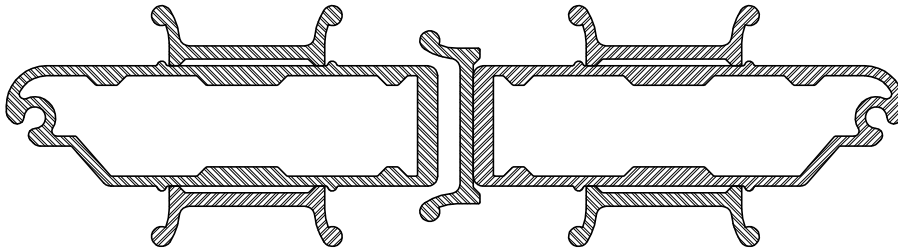
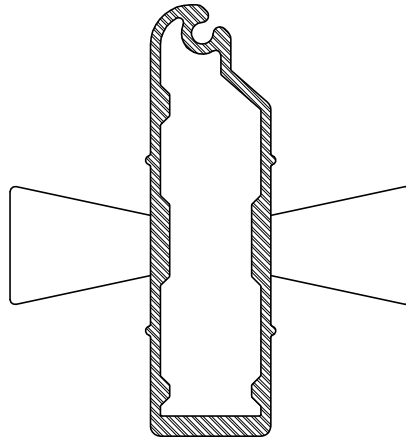
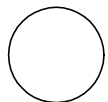


Multiple Meeting Option

Other configurations
available



CAD MMOP-240



MULTIPLE MEETING OPTION — MODEL 240