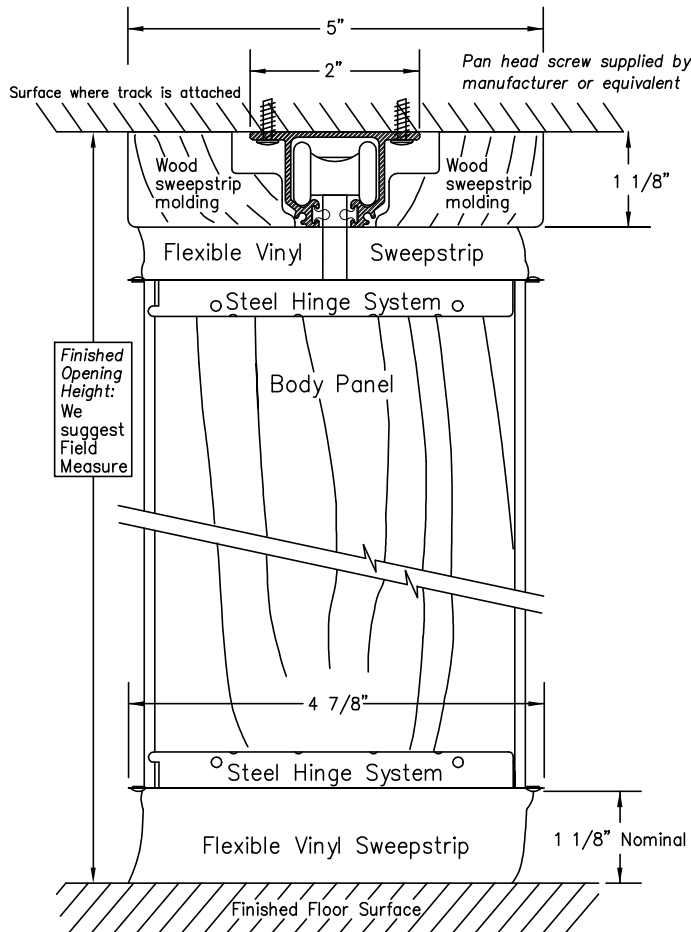
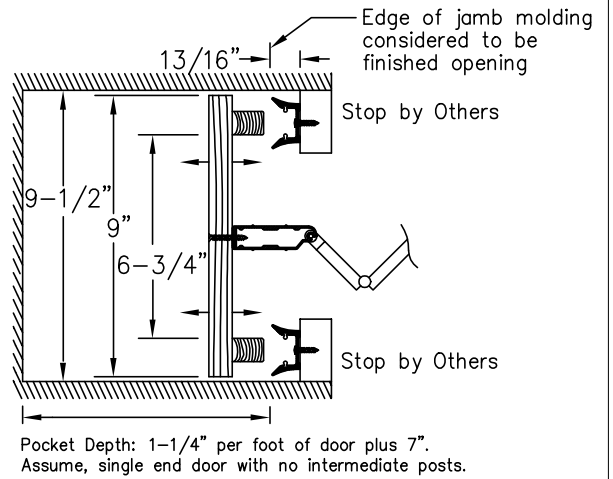


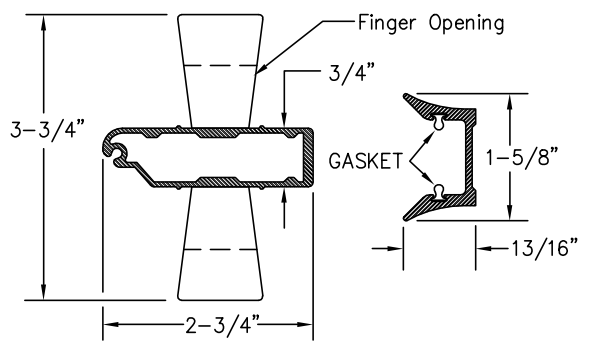
## Surface Track



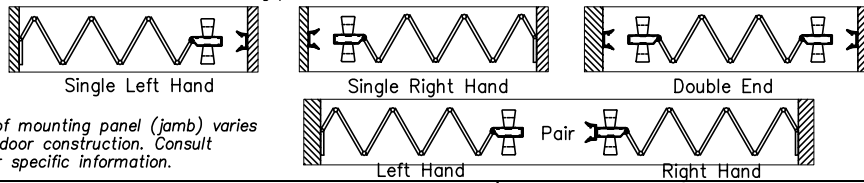
## Sliding Jamb Option



## Lead Post, Jamb Moulding & Handle

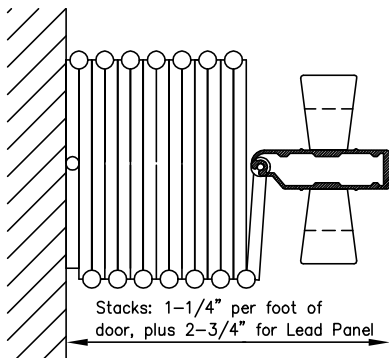


## Door Types

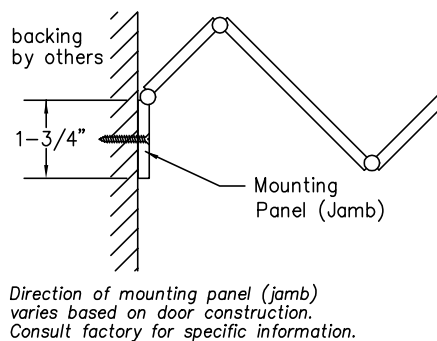


Direction of mounting panel (jamb) varies based on door construction. Consult factory for specific information.

## Stack Dimensions



## Mounting Panel



## Multiple Meeting Option

