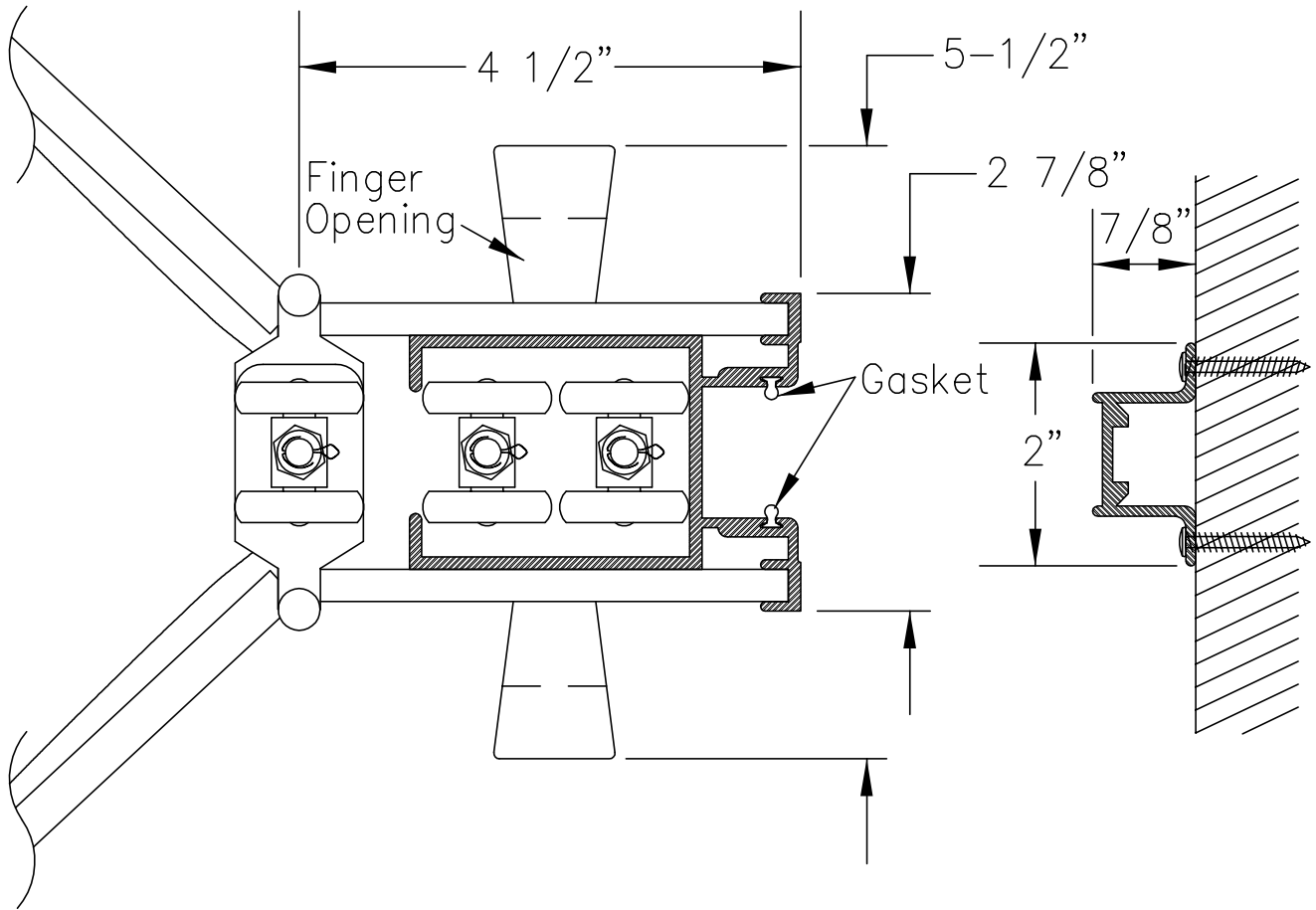
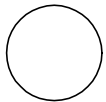


Lead Post, Jamb Moulding & Handle



CAD LPJM3300



LEAD POST, JAMB MOULDING & HANDLE – MODEL 3300